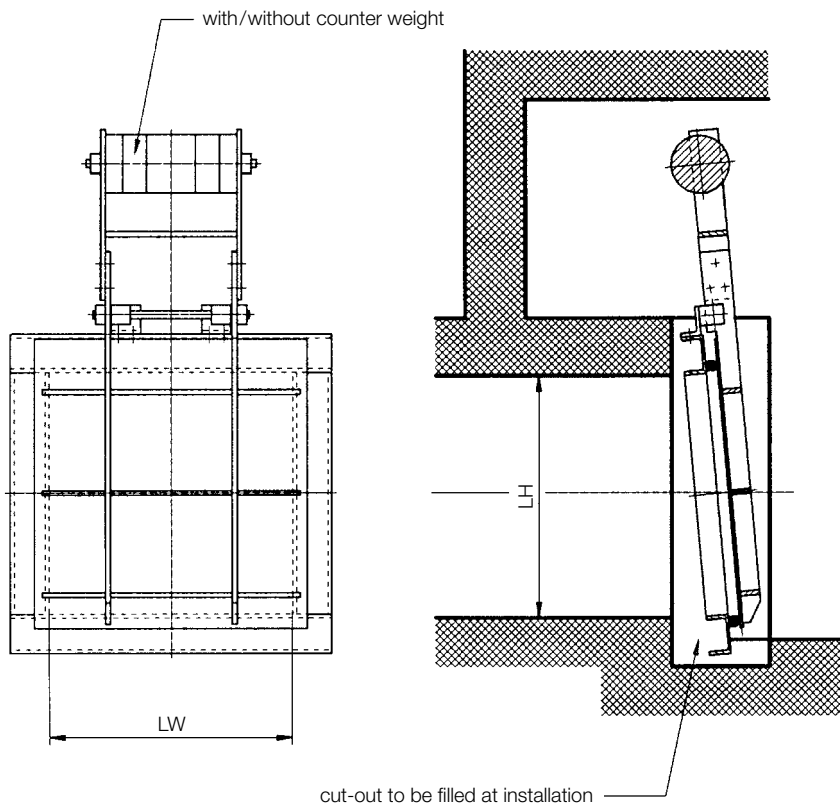


Wey Flap Valve 6.4

3.7.10



LW Width _____ mm
 LH Height _____ mm
 ▼ Max. water pressure _____ mm

Standard construction

Frame material 1.4404
 Flap material 1.4404
 Weight Cast Iron

Special designs on request

Cut-Out

